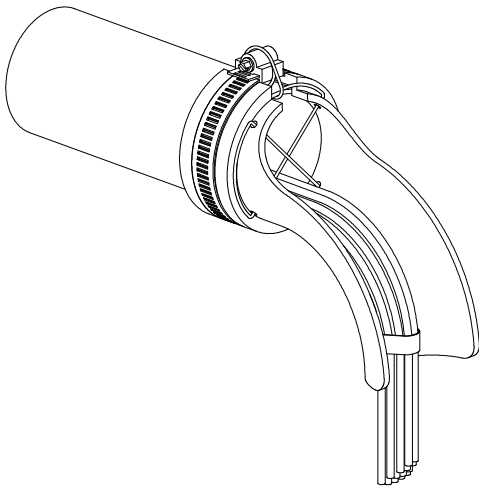




Fiber Optic Accessories

Cable Spillways

BJ-2049



BJ-2049B-002

Application

As an accessory to the Fire Pass Through Sleeve Kits, the Cable Spillway allows easy passage of cables through wall, floors, or ceilings to comply with USEC fire-resistance requirements. The Cable Spillway maintains minimum cable bend radii for accessibility and convenience.

Specifications

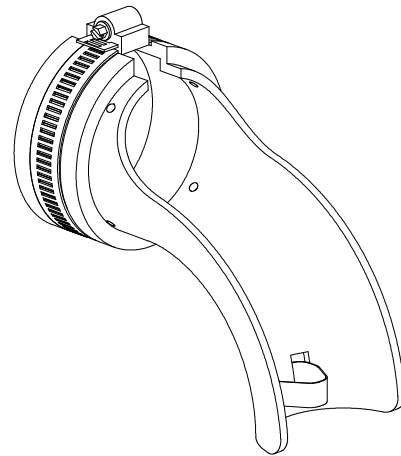
Dimensions: Two and four Inch Diameters.

Construction: Fire Retardant ABS

Color: Blue

Features

- Available in 2" and 4" diameter EMT
- Maintains proper bend radii for fiber/cable
- Provides tie points for fiber pillow retention
- Supports up to 100 lbs. of fiber/cable
- Clamp for securing to EMT
- Self fastening tie down system
- Split top to fitting around existing fiber



Ordering Information

Part Number	Description
BJ-2049A	2" Diameter
BJ-2049B	4" Diameter

Additional Products



BJ-1618



BJ-1746



BJ-1216



BJ-1374



BJ-1680

