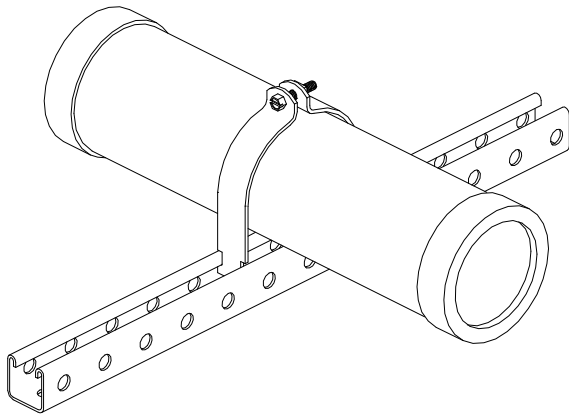




Fiber Optic Accessories

Fire Pass-Thru Sleeve Kits

BJ-2015, 2016, 2017, 2018



BJ-2018

Application

USEC requires a fire resistant pass-thru where cabling must pass through a wall, floor, or ceiling in a building with public access. Precut and packaged kits save time in the field.

Specifications

Dimensions: See ordering information

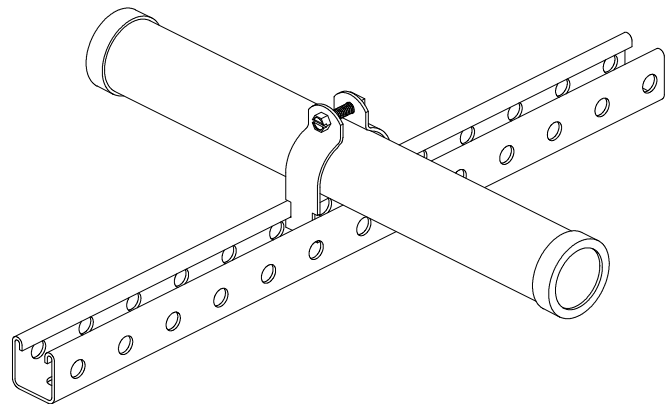
Weight: 6 to 15 lbs.

Construction: Heavy gauge EMT, strut and pipe clamp; nylon end bushings

Color: Gray

Features

- Available in 2" and 4" diameters
- Kits come complete for professional installation
- Constructed with UL approved materials



BJ-2017

Ordering Information

| Part Number | Description |
|-------------|---------------------------------|
| BJ-2015A | 2" EMT 42" long w/ mounting kit |
| BJ-2016A | 4" EMT 42" long w/ mounting kit |
| BJ-2017A | 2" EMT 18" long w/ mounting kit |
| BJ-2018A | 4" EMT 18" long w/ mounting kit |

BEJED, INC 14325 NE Airport Way, Suite 101 Portland, Oregon 97230 503-281-8153 800-232-3533

Fax: 503-281-3339 sales@bejed.com <http://www.bejed.com>