



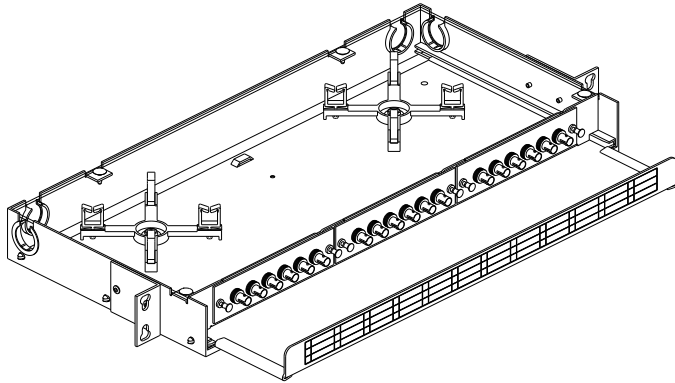
# Rack-Mount Fiber Optic Distribution Unit

# BJ-1961

## 18 - 24 Port Bay Mount

## Application

Provides for fiber cross-connection and splicing in a Single UI. Ideal for small Central Office or POP fiber cross connects. Clear lid and open front provide for economy and ease of use.

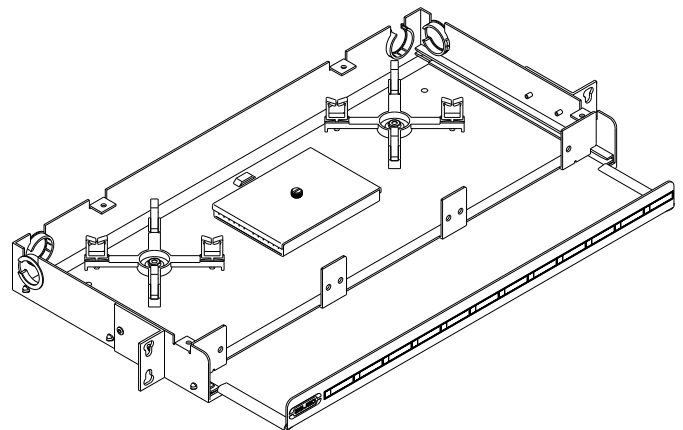


## Specifications

Capacity: Three Plates  
Dimensions: 1.75"H (1 UI) x 17"W x 11"D  
Weight: 3 lbs.  
Construction: Aluminum  
Color: Off-White

## Features

- Terminates 24 fibers with 8 port coupler plates
- 19 inch rack mount, 23" mountable with BJ-2005 adapters
- Pullout tray protects fiber terminations
- Room for fiber storage and splicing
- Open front access to coupler plates
- Clear polycarbonate cover
- Low profile



## Ordering Information

### Part Number

BJ-1961G-001

### Description

FDU: 1 RU, 3 Plates, Polycarbonate Lid, White

