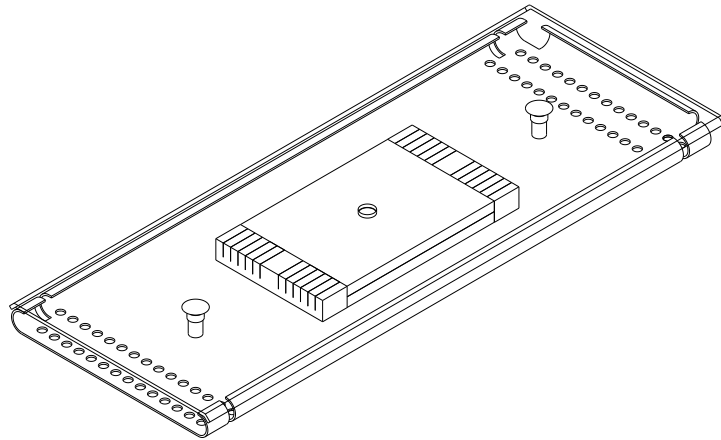




Fiber Optic Accessories

Fiber Optic Splice Storage Case

BJ-1742



Application

Designed for protecting fiber optic splices. May be used with many BEJED as well as other manufacturers FDU's.

Features

- Foam combs and pads provide strain relief for the fiber "to and from" the splice
- Trays accommodate 6, 12, and 24 splices
- Rounded edges for safe fiber routing and management inside the case
- Accepts most mechanical and fusion splices
- Longer to protect bare fiber
- Designed to be stacked for higher fiber counts

Specifications

Weight: 4 oz.
 Construction: Pads: plastic and foam
 Base: aluminum
 Top: polycarbonate

BJ-1742C-005

Capacity: 12 Splices
 Dimensions: 10.5" L x 4" W x .625" H

BJ-1742C-011

Capacity: 24 Splices
 Dimensions: 10.5" L x 5" W x .625" H

BJ-1742D-005

Capacity: 12 Splices
 Dimensions: 7.5" L x 4" W x .625" H

BJ-1742D-011

Capacity: 24 Splices
 Dimensions: 7.5" L x 5" W x .625" H

BJ-1742E-012*

Capacity: 12 Splices
 Dimensions: 4.75" L x 5" W x .625" H

Ordering Information

Part Number	Description
BJ-1742C-005	12 Splice Pad
BJ-1742C-011	24 Splice Pad
BJ-1742D-005	12 Splice Pad
BJ-1742D-011	24 Splice Pad
BJ-1742E-006	6 Splice Pad*
BJ-1742E-012	12 Splice Pad*

*Designed for use with BJ-2141 and BJ-2129 Wall Mount FDU's

