

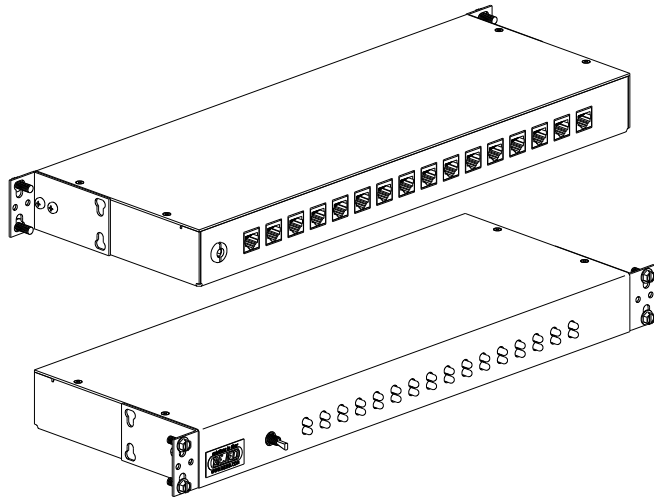


BJ-1681 & BJ-1682

Data Bridges

Application

The Data Bridge combines multiple branches of serial data, supports speeds through 115 kb/s and can be used in half- or full-duplex modes.



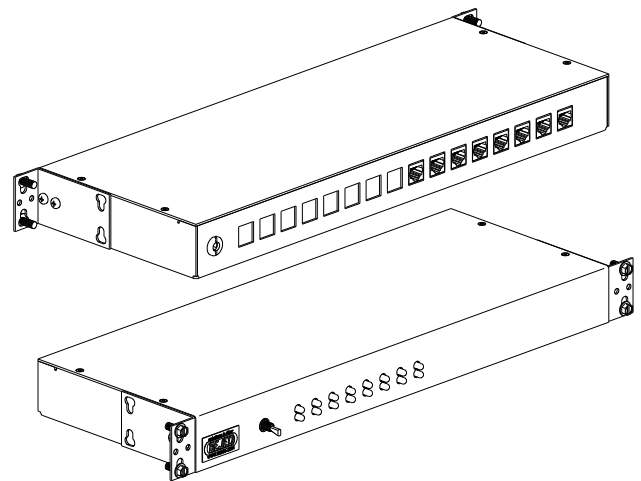
BJ-1682

Specifications

Capacity:	BJ-1681: 8 Ports BJ-1682: 16 Ports
Dimensions:	1.75" H X 19" W X 6.5" D
Weight:	BJ-1681: 4 lbs. BJ-1682: 5 lbs.
Construction:	Steel Case

Features

- 19" bay mount (23" mountable with BJ-2005 adapters), wall mount, or desk-top mounted
- LED indicators for transmit and receive
- Requires 20 – 60 VDC
- Return copy available in half duplex mode
- Any leg can be configured as monitor only
- Utilizes RS-232 standard protocol
- Supports hardware handshaking with RTS/CTS in full duplex mode



BJ-1681

Part Number	Description
BJ-1681G	8 Port Data Bridge
BJ-1682G	16 Port Data Bridge

