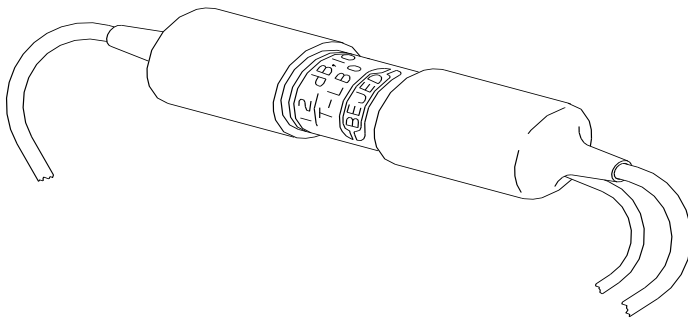




Line Build Out / Attenuators BJ-1216 & BJ-1260

Application

A line build out unit is inserted into the signal path to reduce the signal strength to the right level for interfacing with terminal equipment. It can also reduce cross talk between pairs sharing the same sheath. Available for T1, analogue cxr and HDSL applications.



Features

- Flame resistant metal body
- Vinyl end caps seal against weather/moisture
- Leads 18" long
- 22 gauge, solid, paired, tinned, and shielded wire
- 3.25" long by .875" diameter
- BJ-1216G models provide surge protection
- Insertion loss from 1-25 dB

Specifications

Circuit Type: Balanced H network, with DC isolated in shunt element

Impedance: 100 and 196 ohm design impedance available

Simplex current capacity: 250mA

Protection: (G models only) 300V Tip and Ring to ground on both line and drop sides with 100 uS breakdown times

Ordering Information

Part Number	Description
BJ-1216A-XXXdB	Standard T-LBO
BJ-1216G-XXXdB	Surge Protected T-LBO
BJ-1260A-XXXdB	

