



Small Footprint Wall-Mount Fiber Distribution Unit

BJ-2141

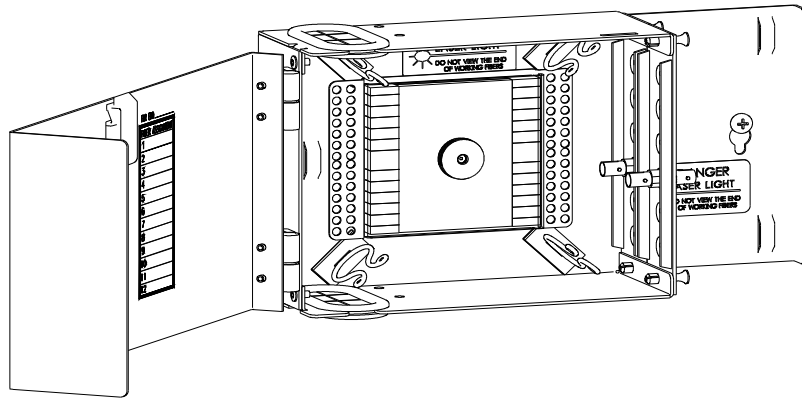
Capacity: 2 Coupler Plates, 1 Mini Splice Tray

Application

This compact wall mount enclosure can hold 2 coupler plates and can use either of Bejed's Mini Splice Trays. It is ideally suited for small LANs and industrial fiber applications where space is limited.

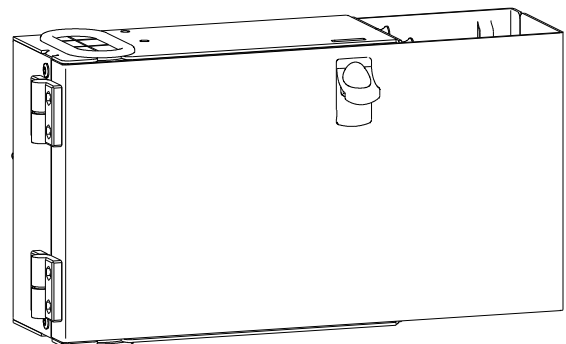
Specifications

Capacity:	Two Plates (up to 48 fibers)
Dimensions:	10" W x 5.12"H x 3.25"D
Weight:	2 lbs
Construction:	Steel
Colors:	Off-White or Black



Features

- Cable Entrance/Exits both top and bottom
- Single, easily removable cover
- Ideal for small cabinets/enclosures
- Heavy gauge construction
- Supports BJ-2141S-012 or BJ-1742E-012 Splice Trays
- Supports BJ-1796A-002 Cable Clamps



Ordering Information

Part Number	Description
BJ-2141A-001	FDU: Wall Mount, 2 Plates, Open-Left, White
BJ-2141A-101	FDU: Wall Mount, 2 Plates, Open-Left, Black
BJ-2141B-001	FDU: Wall Mount, 2 Plates, Open-Right, White
BJ-2141B-101	FDU: Wall Mount, 2 Plates, Open-Right, Black

