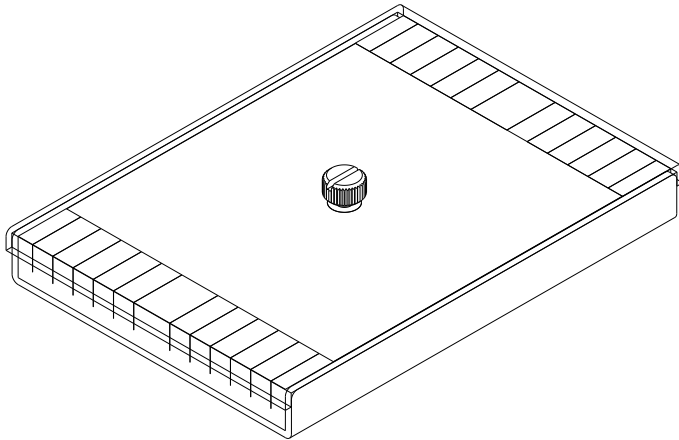




Fiber Optic Accessories

Fiber Optic Splice Storage Case

BJ-1521



Features

- Foam combs and pads provide strain relief for the fiber "to and from" the splice
- Trays accommodate from 12 to 72 splices
- Accepts most mechanical and fusion splices

Ordering Information

Part Number	Description
BJ-1521P	12 Splice Pad
BJ-1521Q	24 Splice Pad
BJ-1521A	24 Splice Pad
BJ-1521R	36 Splice Pad
BJ-1521B	48 Splice Pad
BJ-1521C	72 Splice Pad

Application

Designed for protecting fiber optic splices where space is an issue or where jacketed fiber is used. May be used with all BEJED as well as many other manufacturers' FDU's.

Specifications

Weight: 4 oz.
 Construction: Pads: plastic and foam
 Base: aluminum
 Top: polycarbonate

BJ-1521P

Capacity: 12 Splices
 Dimensions: 2.9" L x 4.125" W x .7" H

BJ-1521Q

Capacity: 24 Splices
 Dimensions: 2.9" L x 4.125" W x 1.2" H

BJ-1521A

Capacity: 24 Splices
 Dimensions: 4.27" L x 4.125" W x .7" H

BJ-1521R

Capacity: 36 Splices
 Dimensions: 2.9" L x 4.125" W x 1.6" H

BJ-1521B

Capacity: 48 Splices
 Dimensions: 4.27" L x 4.125" W x 1.12" H

BJ-1521C

Capacity: 72 Splices
 Dimensions: 4.27" L x 4.13" W x 1.6" H

