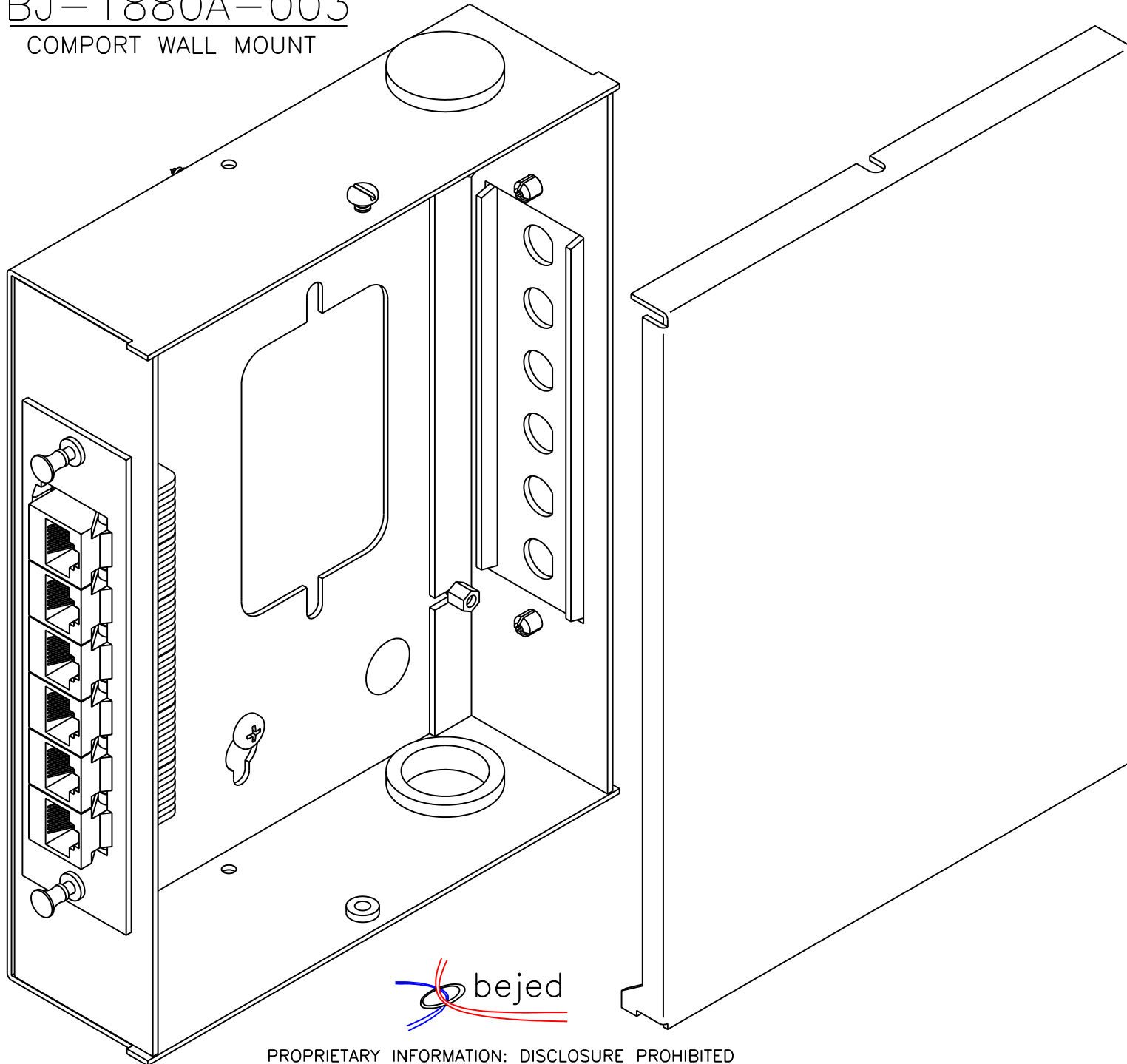


BJ-1880A-003  
COMPORT WALL MOUNT



PROPRIETARY INFORMATION: DISCLOSURE PROHIBITED  
WITHOUT PERMISSION OF: BEJED INC., PORTLAND, OREGON