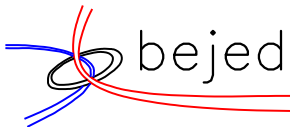
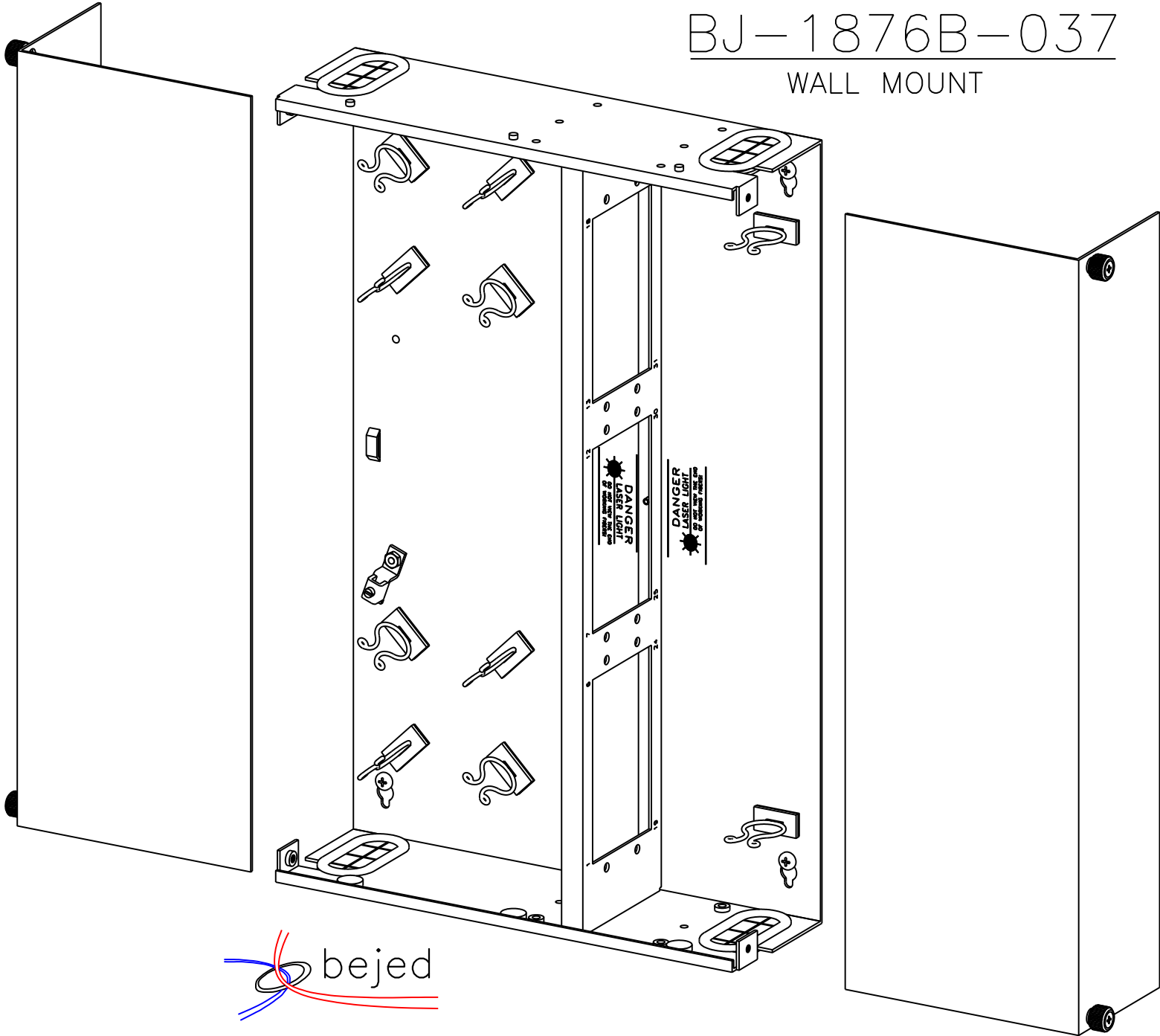


BJ-1876B-037

WALL MOUNT



PROPRIETARY INFORMATION: DISCLOSURE PROHIBITED
WITHOUT PERMISSION OF: BEJED INC., PORTLAND, OREGON